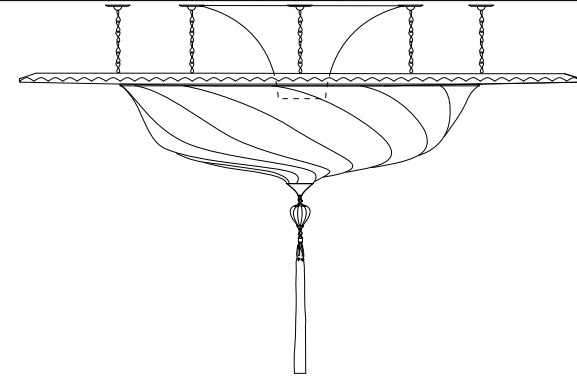

◆ ATELIER **FORTVNY** VENEZIA ◆

produced & distributed by Fortuny S.r.l. San Marco, 2425 - 30124 Venezia - Italy p+39 041 5236953 - info@fortuny.it
www.fortuny.it



SCUDO SARACENO with metal ring / art. 096SAC-2 / silk

assembly instructions / semiflush

LED | 5 x MAX 7W | E12 | 110-120V | 50-60 Hz



ATTENTION: do not use abrasive products to clean this lamp but only a damp cloth.

Our creations may show slight imperfections due to the special handwork required on each piece. Variations are one of the features which make each of our products an original and unique item.

WARNING: the safety is guaranteed only with appropriate use of these instructions, which must be kept for future reference. We recommend the installation by qualified personnel.

GENERAL:

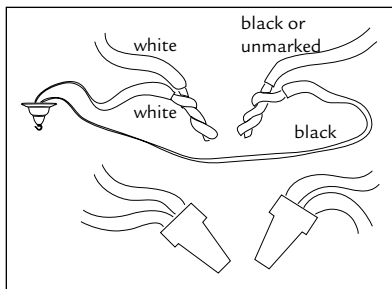
- Read all instructions and review diagrams beginning with the installation of the fixture.
- All electrical connections must be in accordance with local codes, ordinances or national codes. If you are unfamiliar with methods of electrical wiring, secure the services of a qualified licensed electrician.

BEFORE BEGINNING INSTALLATION:

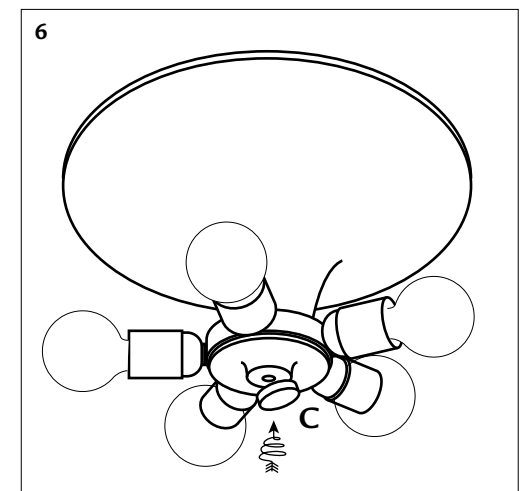
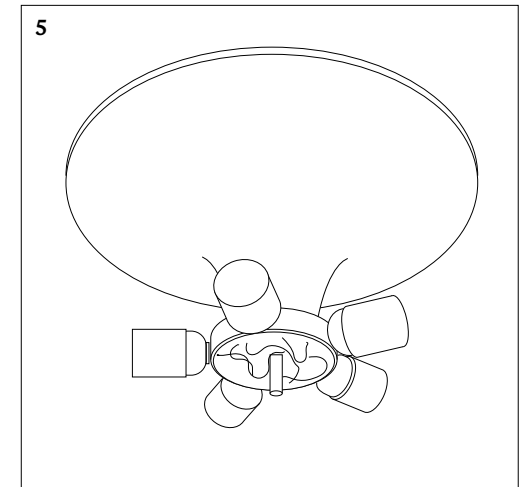
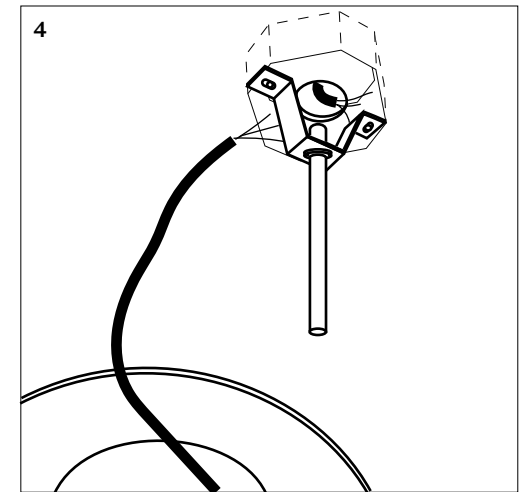
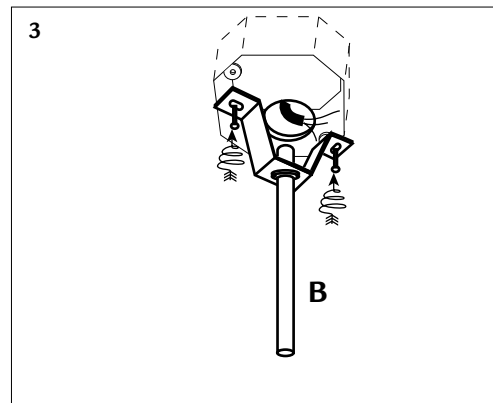
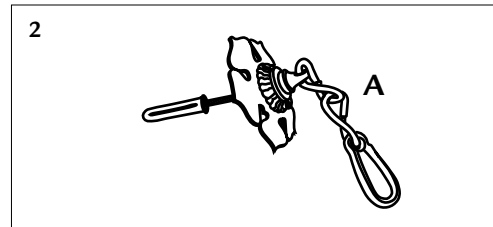
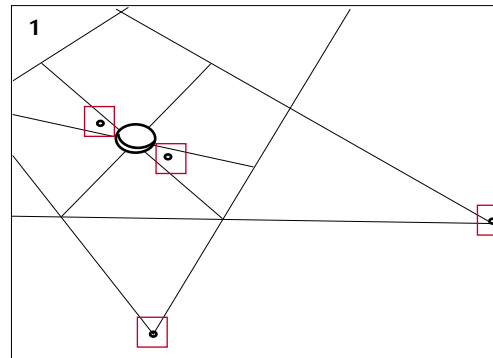
- Turn off the electricity to the outlet box at the circuit breaker or fuse box.
- If you are replacing an existing fixture, remove the old fixture and expose the supply wiring.
- Remove the old cross bar.

ELECTRICAL CONNECTIONS:

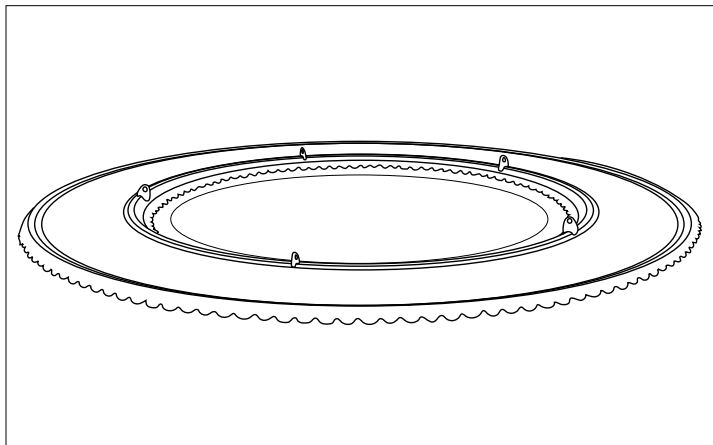
- While supporting the fixture, connect the white wire from the fixture to the white or marked wire of the supply circuit.
- Connect the black fixture to the black supply wire. Connect the ground wire - bare copper wire - to the ground conductor of the supply circuit. Secure with UL listed wire connectors suitable for the size, type and number of wires. Make sure that there are no loose strands of wire and that there are no loose connections.
- Spread the electrical wire connections apart and back into the outlet box.



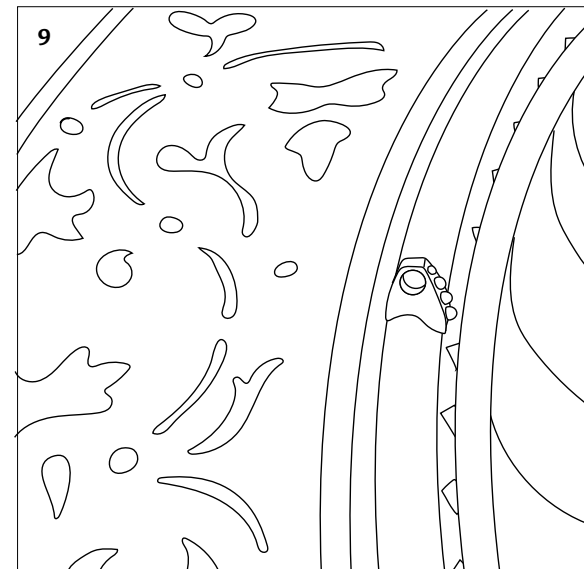
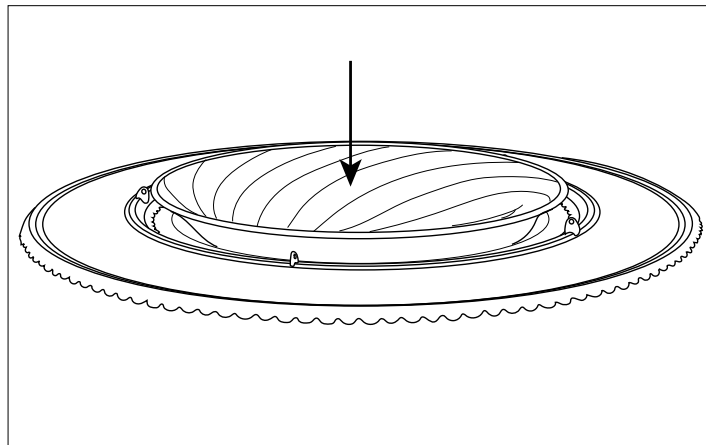
1. Place the template to the ceiling and mark the 5 external spots + the 2 central ones.
2. Remove the template and pierce the marked spots. Insert the plugs **A** in the 5 external holes and screw to fix.
3. Fix the bracket **B** to the outlet box using the outlet box screws.
4. Make electrical connections.
5. Fix the ceiling attachment by means of the screw **C**.
6. Screw the 5 light bulbs.



7. Lay the metal ring over a table.



8-9. Carefully lay the glass shade over the metal ring.



10. 2/3 persons should now raise the entire lamp (metal ring and glass shade). Insert the hook of the chain **A** in the 5 pin holes.

11. Suspend the tassel. The lamp is completely mounted. Restore the electricity and test.

